

PRODUCT INTRODUCTION

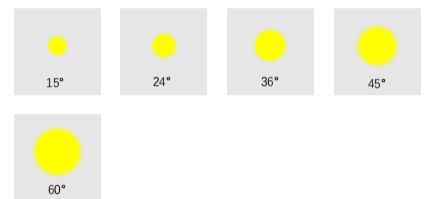
Q50 downlight smoothly blends into the interior design, providing subtle illumination from the ceiling. Its small size, only 4cm height, 5cm cutting hole, while great power 9W, meets even the most exacting demands. The height of the exquisite appearance downlight is lower than the furring channel 1cm. It is not only with high lumen but also neat and soft spot without any multiple shadows.

SPECIFICATION

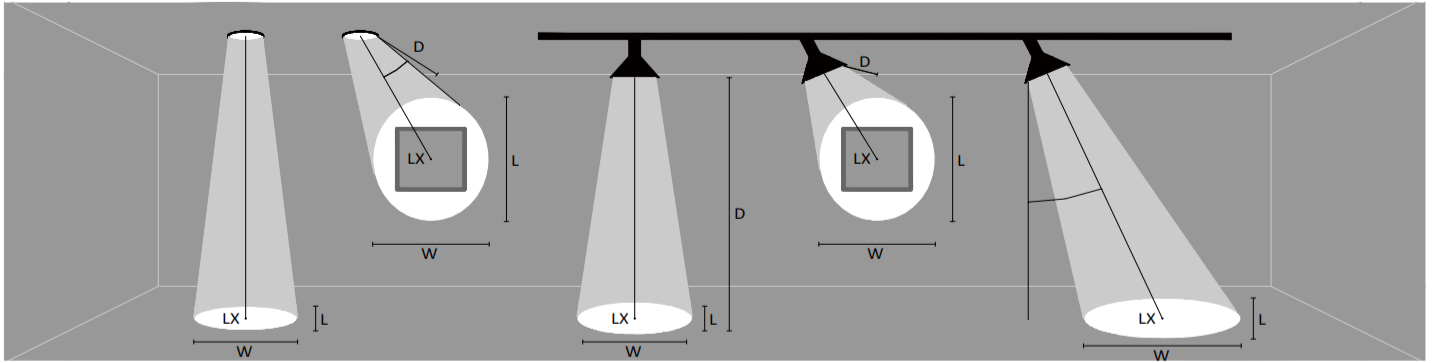
Wattage : 5W / 7W / 9W
 Color temperature : 2700K / 3000K / 3500K / 4000K
 CRI : Ra97 (R9>90)
 Beam angle : 15° / 24° / 36° / 45° / 60°
 Input voltage : AC220V-240V
 Dimming : 0/1-10V , DALI , TRIAC , CASAMBI

FEATURES

Product surface color : White, Black, Customized
 Mounting: Recessed
 Protection degree : IP20 (En60598)
 Energy efficiency: EELM



Radial distribution & Conical illuminance



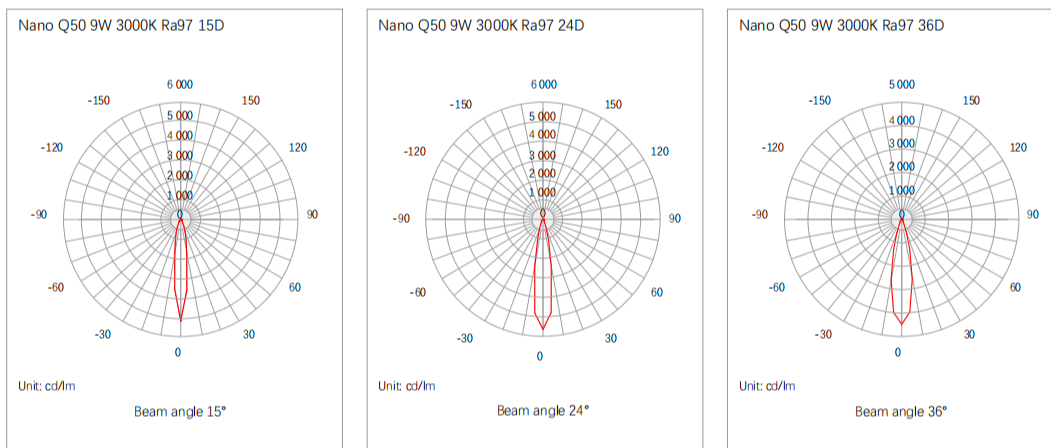
D Distance To Fix From Wall or Floor

LX Initial illuminance Level At Center of Beam

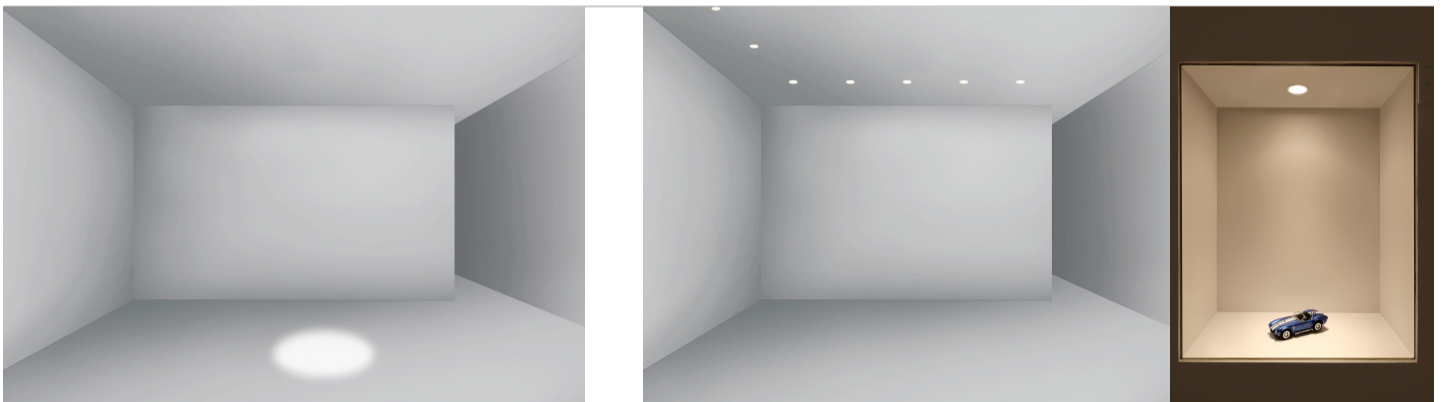
L Beam Length (where candlepower drops to 50% of maximum)

W Beam Width (where candlepower drops to 50% of maximum)

Radial distribution & Conical illuminance



Lighting effect



Specifications

Model No.	Total Power (W)	LED Power (W)	Voltage	CRI (Ra)	Color Temp (K)	LED Flux (lm)	Beam Angle	IP Grade								
Nano Q50	5	4.5	AC220V-240V	97	2700	400	15° / 24° / 36° / 45° / 60°	IP20								
					3000	450										
					3500	460										
					4000	470										
Nano Q50	7	6.3			AC220V-240V	97			2700	560	15° / 24° / 36° / 45° / 60°	IP20				
									3000	630						
									3500	640						
									4000	650						
Nano Q50	9	8.1							AC220V-240V	97			2700	720	15° / 24° / 36° / 45° / 60°	IP20
													3000	810		
													3500	830		
													4000	850		

· Thermally stable typical lumens (±10%)

Package information

Model No.	Packaging/Unit	Pieces/Unit	Dimensions (L x W x H)	Gross Weight	Volume
Nano Q50	Inner box	1	70x70x80mm	0.30kg	0.40dm ³
	Outer box	50	380x380x200mm	18.00kg	28.88dm ³